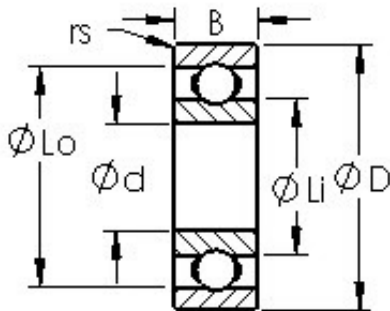




NTN de Mexico, S.A.



AST SR155 deep groove ball bearings

Bearing No. SR155

Bore Diameter	3,96748 mm
Outer Diameter	7,9375 mm
Width	2,77876 mm
Bearing Type	Open
Bore Dia (d)	0.1562
Outer Dia (D)	0.3125
Width (B)	0.1094
Radius (min) (rs)	0.004
Dynamic Load Rating (Cr)	69
Static Load Rating (Cor)	27
Max Speed (Grease) (X1000 RPM)	53
Max Speed (Oil) (X1000 RPM)	63
Max. Shaft Shoulder Dia. Inner (Li)	0.3
Min. Housing Shoulder Dia., Outer (Lo)	0.3
Ball Qty	10
Ball Dia (Dw)	0.0394
Weight (g)	0.51
Precision	A1
Standard Clearance	K25
Material	Martensitic Stainless Steel

SR155 Bearing 2D drawings and 3D CAD models